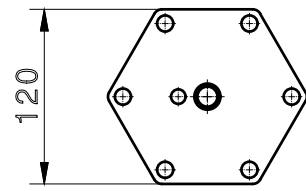
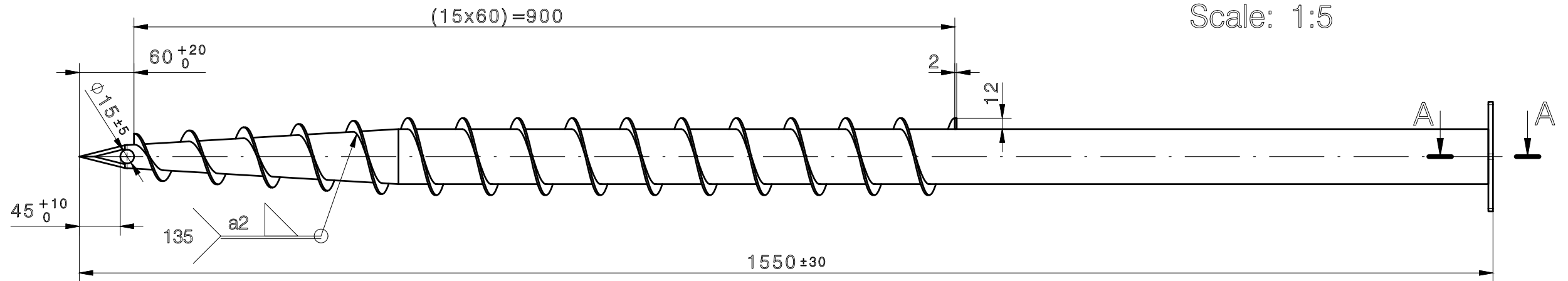


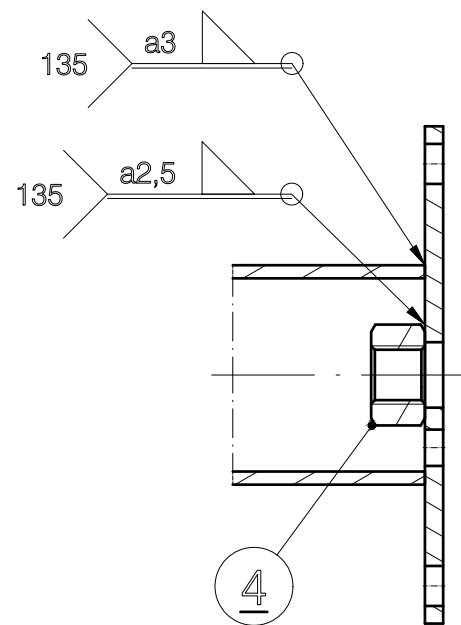
Right view
Scale: 1:5



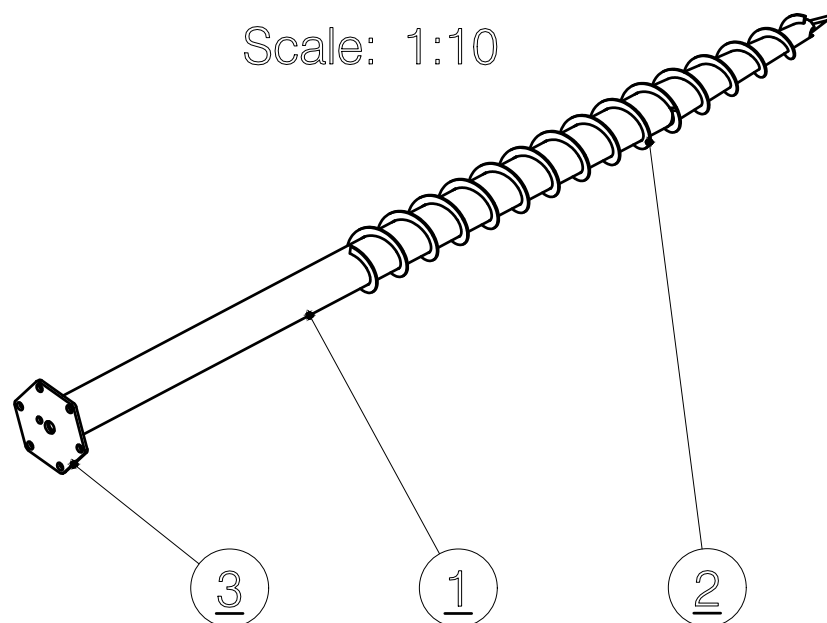
Front view
Scale: 1:5



A-A
Scale: 1:2



Isometric view
Scale: 1:10



No. item	Name - Mark Drawing - Standard	Work in progress Material	Mass (kg)	Rough	Qua. Unit
				Clean	
1	TUBE	TRKR 60,3x3,6-1500	7,6		1
	EN 10219, EN10025	S 235JRH ; S355JR+N			
2	THREAD	Sheet 2 - 12x3211	0,62		1
	EN 10051	S 235 JR			
3	FLANGE	Sheet 5 - 137x120	0,46		1
	FL00754-01	S 355			
4	NUT	M16	0,04		1
	ISO 4032				

Unspec. tolerances: ISO 2768-cK	Toleration: ISO 8015	Galvanized: ISO 1461	Welded construction: ISO 13920	Steel construction: EN 1090EXC2
------------------------------------	-------------------------	-------------------------	-----------------------------------	------------------------------------

Title: S 60x1600 M16		
Drawn:	Scale: 1:5	Format: A3
Checked:	Final material:	Drawing number: FL00754
Approved:	Semi-finished product:	Index:0
Date: 22.5.2020	Weight NETTO: 8,72kg	Sheet 1/1